

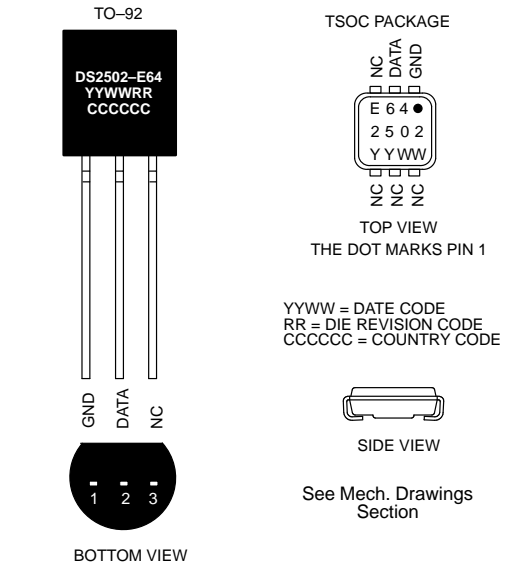
FEATURES

- IEEE-approved factory programmed 64-bit node address chip (EUI-64) with 768 bits user-programmable OTP-EPROM communicates with the economy of one signal plus ground
- Meets the node identification requirements of IEEE Standard 1394-1995 (FireWire™)
- Unique, factory lasered and tested 64-bit registration number (8-bit family code 89H + 36-bit serial number + 12-bit UniqueWare Identifier 5E7H + 8-bit CRC tester) assures absolute traceability because no two parts are alike
- Built-in multidrop controller ensures compatibility with other MicroLAN™ products
- Device is an “add only” memory where additional data can be programmed into EPROM without disturbing existing data
- Reduces control, address, data, power and programming signals to a single pin
- Directly connects to a single port pin of a microprocessor and communicates at up to 16.3k bits per second
- Presence detector acknowledges when reader first applies voltage
- Low cost TO-92 or TSOC surface mount packages
- Reads over a wide voltage range of 2.8V to 6.0V from -40°C to +85°C; programs at 11.5V to 12.0V from -40°C to +50°C

GLOBAL IDENTIFIER DESCRIPTION

The DS2502-E64 is a variant of the DS2502 1024-bit Add-Only Memory. It differs from the standard DS2502 in its custom ROM family code 89H, and the UniqueWare Identifier 5E7 in place of the upper 12 bits of the standard ROM serialization field. Otherwise, the electrical and logical behavior is identical to that of the DS2502. For technical details please refer to the DS2502 data sheet.

The first 32 bytes of the DS2502-E64's EPROM memory contain a globally unique 64-bit node address (EUI-64) and are write-protected. The data structure



ORDERING INFORMATION

DS2502-E64	TO-92 package
DS2502P-E64	6-pin TSOC package

follows the conventions of UniqueWare devices using Default Data Structure (Figure 1).

The data record starts with a length byte (0CH) and the 4-byte UniqueWare Project ID 00001128H. The next eight bytes contain the EUI-64 global identifier (node address) which consists of an incrementing 40-bit extension identifier and the IEEE-assigned 24-bit company ID value 006035H. A 16-bit CRC ends the data record. The remaining bytes of the 32-byte memory page remain unprogrammed. Neither the 40-bit extension identifier nor the 24-bit company ID are related to

the 64-bit ROM registration number, which is distinct from the IEEE Standard 1394–1995 node address. The ROM registration number is used to provide a unique

address to access the DS2502–E64 when multi-dropped on a 1-Wire™ bus.

FireWire™ is a trademark of Apple Computer, Inc.

EUI-64 NODE ADDRESS CHIP DATA STRUCTURE Figure 1

(UNUSED)	CRC16		COMPANY ID VALUE		EXTENSION ID VALUE		PROJECT ID		LENGTH
	MSB	LSB	MSB	LSB	MSB	LSB	MSB	LSB	
17 BYTES FFH	2 BYTES		3 BYTES CONSTANT 006035H		5 BYTES SERIALIZATION		4 BYTES CONSTANT 00001128H		1 BYTE 0CH

high address

low address

EXAMPLE

Assume that a manufacturer’s company ID value is 006035₁₆ and the 40-bit extension identifier is 234567ABCD₁₆. The EUI-64 value generated from these two numbers is 006035234567ABCD₁₆, whose byte and bit representations are illustrated in Figure 2.

This information is stored in the DS2502–E64 as 64-bit number with the least significant byte at the lower address. Including the length byte and the CRC, the complete set of data is shown in Figure 3.

The four bytes at memory addresses 01 to 04 contain the UniqueWare Project ID 00001128₁₆. The two bytes at addresses 0DH and 0EH are the 16-bit CRC over the

length byte, Project ID and EUI-64 value. The least significant byte of the CRC is stored at address 0D. This CRC is generated according to the standardized CRC16 polynomial function $X^{16} + X^{15} + X^2 + 1$. For more details on generating CRC values including examples in both hardware and software, see the “Book of DS19xx iButton Standards” or Application Note 27.

The contents of the memory address range 0FH to 1FH is FFH. These cells cannot be altered since the whole memory page is write-protected. The memory range from 20H to 7FH, however, is user-programmable. It can be write-protected by programming the corresponding write-protect bit in the status memory of the DS2502–E64.

SAMPLE EUI-64 VALUE Figure 2

MOST SIGNIFICANT BYTE						LEAST SIGNIFICANT BYTE		
00	60	35	23	45	67	AB	CD	HEX
0000 0000	0110 0000	0011 0101	0010 0011	0100 0101	0110 0111	1010 1011	1100 1101	BINARY
MOST SIGNIFICANT BIT						LEAST SIGNIFICANT BIT		

PHYSICAL ADDRESS AND DATA MAPPING INSIDE THE DEVICE Figure 3

ADDRESS	0E	0D	0C	0B	0A	09	08	07	06	05	04	03	02	01	00
DATA	XX	XX	00	60	35	23	45	67	AB	CD	00	00	11	28	0C

XX XX = CRC16, value depends on actual data